

 WEINISEN

PRESSING

**PLUMBING
PRODUCT
CATALOG**



DEVELOPMENT

HISTORY

2007-2019

Predecessor of the company Taizhou Shuiheng No. 1's predecessor Minghan Sanitary Ware Co., Ltd., laid the foundation for its subsequent transformation and growth into a professional manufacturer in the field of fluid technology.

2020

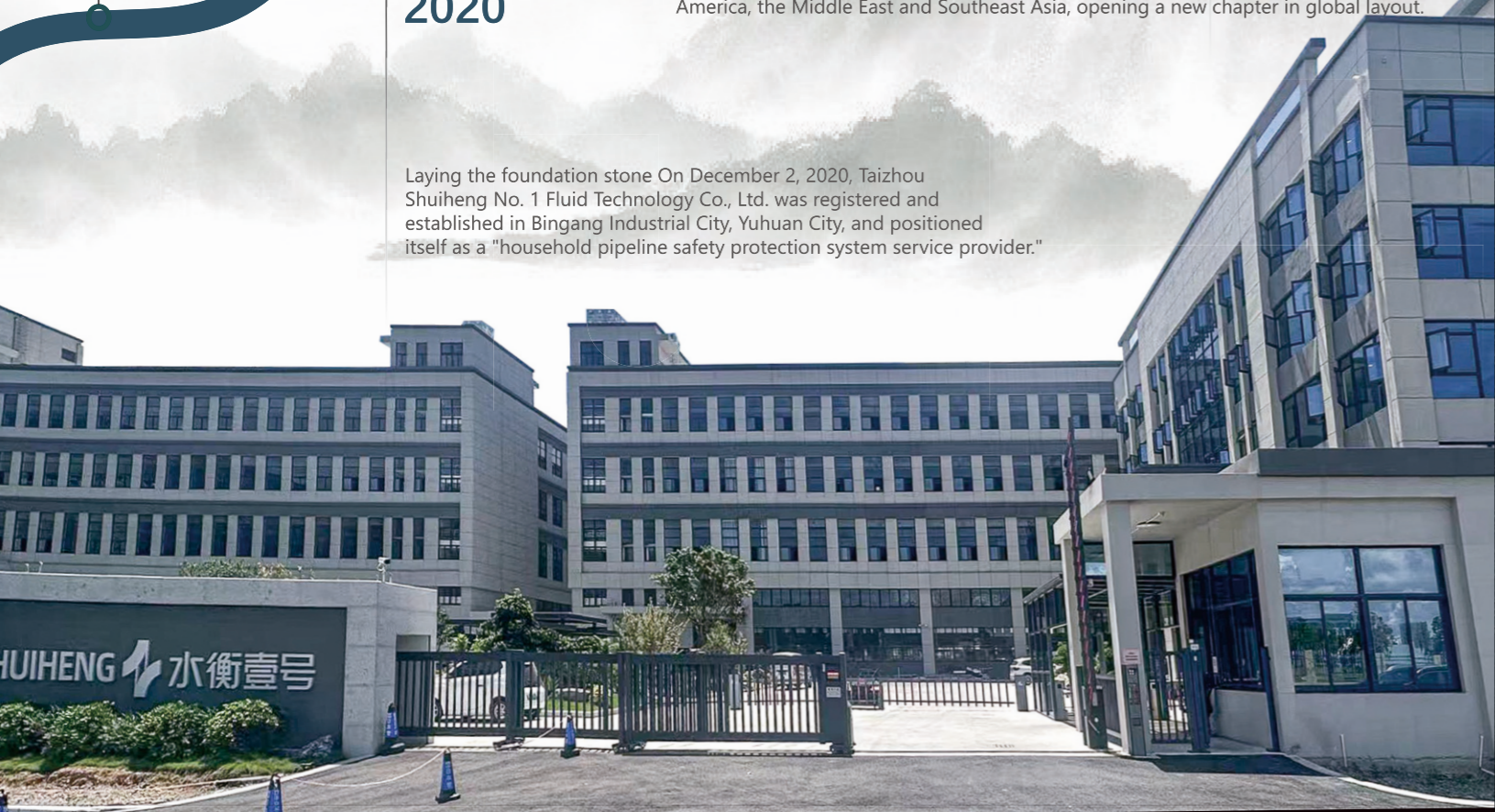
Laying the foundation stone On December 2, 2020, Taizhou Shuiheng No. 1 Fluid Technology Co., Ltd. was registered and established in Bingang Industrial City, Yuhuan City, and positioned itself as a "household pipeline safety protection system service provider."

2021-2024

Automated production upgrade In the past two years, we have obtained more than ten core patents, established an industry-leading process control system, invested in new automated factories and CNAS-level laboratories.

2025

Global development planning On June 4, 2025, 100 million capital was invested in Weisen Tool, forming a "fluid + tool" dual-wheel drive; products are simultaneously exported to Europe, America, the Middle East and Southeast Asia, opening a new chapter in global layout.



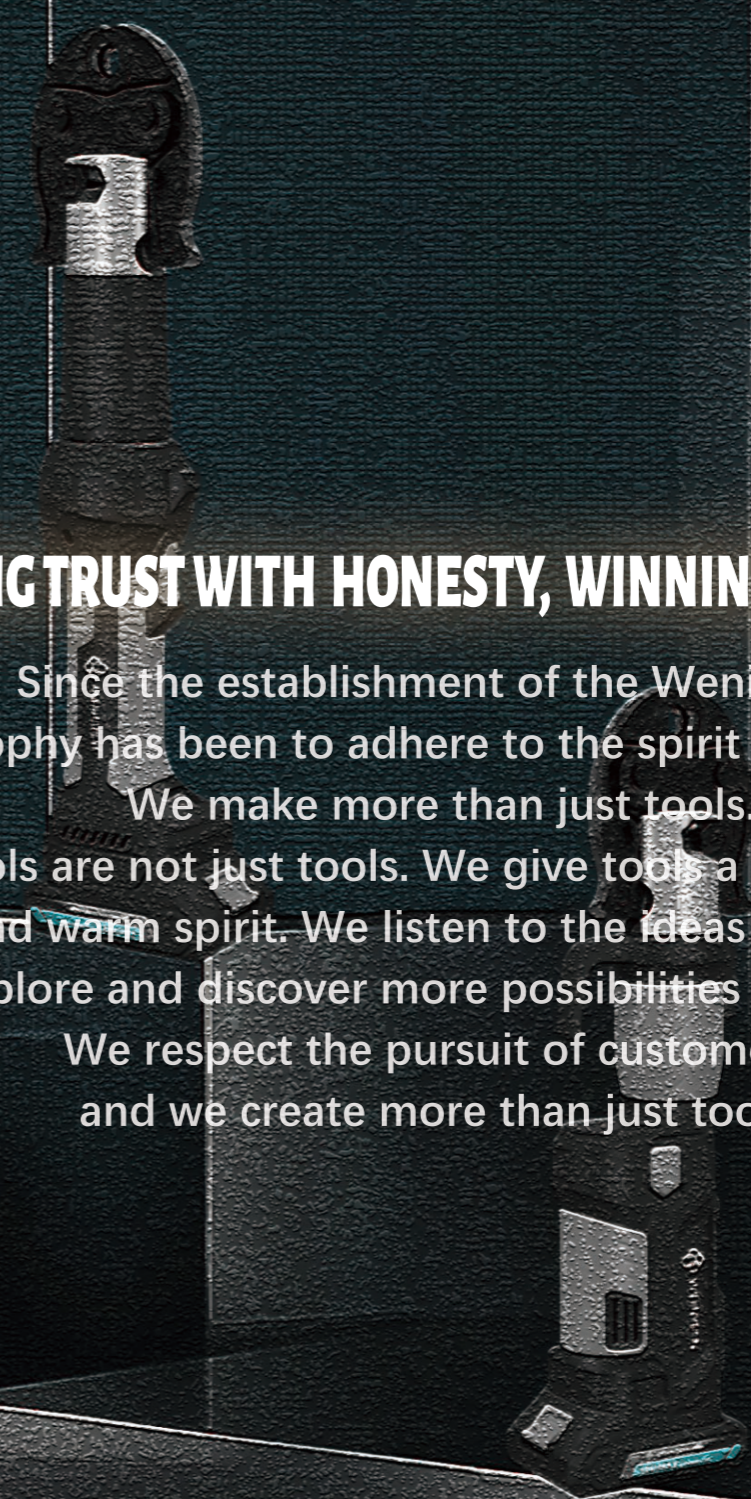
ACHIEVING TRUST WITH HONESTY, WINNING WITH TRUST.

Since the establishment of the Wenison, the philosophy has been to adhere to the spirit of craftsmanship.

We make more than just tools.

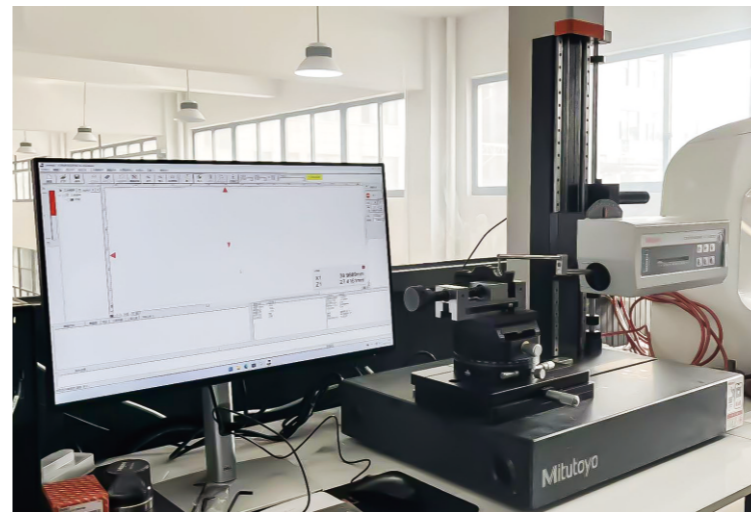
Tools are not just tools. We give tools a high-end, ingenious and warm spirit. We listen to the ideas of every customer, explore and discover more possibilities together.

We respect the pursuit of customers, and we create more than just tools.



TOP QUALITY FROM
PRECISION PRODUCTION





TOP QUALITY FROM
MULTIPLE DEPTH INSPECTION

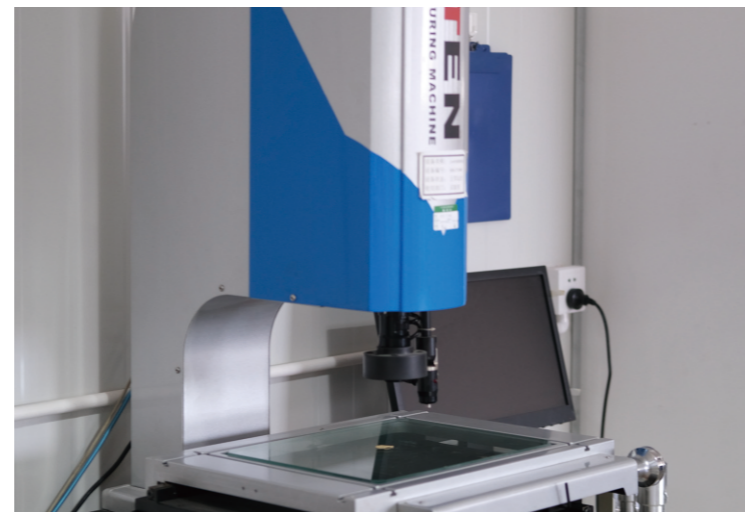


TABLE OF CONTENTS

BATTERY POWER PRESS TOOL
(compact) 24kN

P001-008



BATTERY POWER PRESS TOOL
(compact) 19kN

P009-013



TWO-IN-ONE Battery
Powered Crimping & Cutting tool

P014



MANUAL TOOL

P015-018



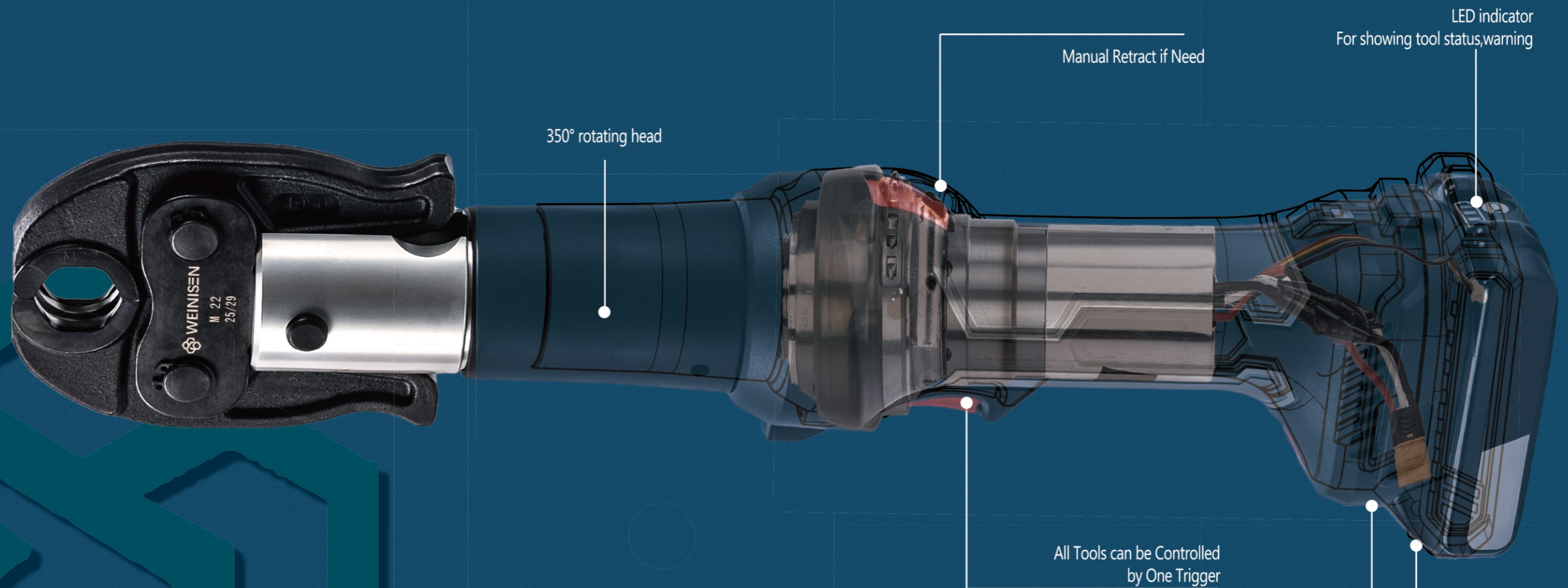


WEINISEN





SMALLER, LIGHTER COMPACT MEASURES HUGE POWER



THE RIGHT TOOL FOR YOUR NEEDS

● CIRCUIT BOARD DIAGNOSTICS

Alert you when the battery is low or the tool is too hot or cold

● OLED DISPLAY

- Easy reading on Battery Percentage
- Pressing Times
- Fault Code
- Maintenance Note



■ 350° SWIVELLING BARREL

Easy access to connections

■ TWO STAGE HYDRAULIC SYSTEM

Hydraulic Ram Output provides more force for reliable connection

■ ERGONOMIC DESIGN

With light weight and inline grip, easily work overhead and in tight spaces.

■ Maintenance INTERVAL: 10000 Cycles

Battery Lock

LED indicator
For showing tool status,warning

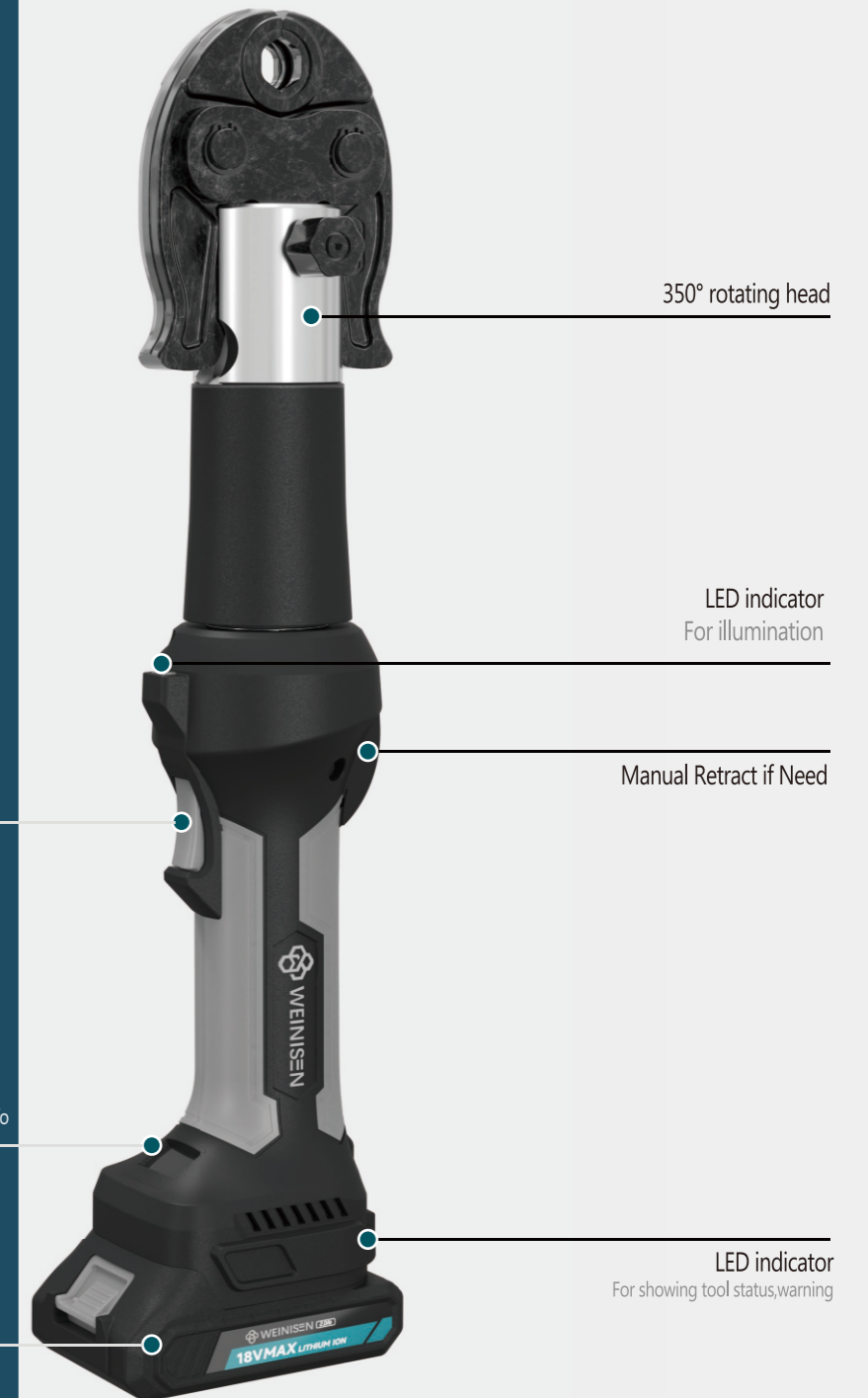
New generation BLM series Brushless motor Battery Powered Press Tool

ST-2430 COMPACT EFFICIENCY DURABLE

COMPACT PRESS TOOL

CAPACITY: 1/2" TO 1 1/4" (COPPER AND STAINLESS STEEL); 1/2" TO 1 1/2" (PEX); 1/2" TO 13 3/8 8" (REFRIGERATION GRADE COPPER); 1/2" TO 1" (CARBON STEEL)

The WEINISEN Compact Press Tool is the latest innovative tool in the Compact Press Tool family. Its ergonomic design with forward-positioned trigger and SlimGrip™ handle allows for one-handed use to help you easily work overhead and in tight spaces. Get enhanced access and performance with features like a 350° head swivel, bright LEDs, and a brushless motor capable of over 30,000 press cycles.



ST-2430B
brushless motor

ST-2430
(brush motor)

2 YEARS
30000 CYCLES
BATTERY POWERED PRESS TOOL

All Tools can be Controlled by One Trigger

OLED Display
Show Press Cycles Power, Errors info

High Performance
18v Li-ion Battery

350° rotating head

LED indicator
For illumination

Manual Retract if Need

LED indicator
For showing tool status, warning

DESCRIPTION	WEIGHT LB.
ST-2430+1/2"jaws	7.2
ST-2430kit+(1/2-1")Popress jaws	24.1
ST-2430kit+(1/2-1")pureflow jaws	24.1
ST-2430kit without jaws	15.43
ST-2430Kit with 1/2" - 1-1/4" ProPress Rings and C1 Actuator	22
ST-2430kit with1/2" - 1-1/4"ProPress Rings & Jaws and C1 Actuator	33.3
ST-2430kit Kit with 1 1/2 2" - 1" MegaPress Jaws & Rings with C1 Actuator	24.1
ST-2430kit with1/2" - 1-1/4"ProPress Rings & Jaws and C1 Actuator	30.7

Accessory	WEIGHT LB.
ST-2430 Carrying Case Only	6.9
ST-2430 Carrying Case RLS	4.4
18V Advanced Lithium-ion Battery	0.76
18V Advanced Lithium-ion Battery Charger	1.1

Specifications

- ▶ **WEIGHT**
Tool Only-2.9 lbs.
Tool with Battery-3.3 lbs.
Tool with Battery and Jaw-5.5 lbs.
- ▶ **LENGTH**
Tool Only- 13"
Tool with Jaw - 14.6"
- ▶ **HEIGHT**
2.5"
- ▶ **HYDRAULIC RAM OUTPUT**
5380lbs.(24kN)
- ▶ **CYCLE TIME**
Standard ~3 seconds
- ▶ **SERVICE INTERVAL**
30,000 Cycles
- ▶ **POWER**
12V Advanced Lithium-ion 2.5 AhBattery
- ▶ **OPERATING TEMPERATURE RANGE**
5° F to 104° F (-10° C to 40° C)
- ▶ **LIGHTING**
LED
- ▶ **350° HEAD SWIVEL**

DESCRIPTION	WEIGHT LB.
SM-2430+1/2"jaws	8.1
SM-2430kit+(1/2-1")Popress jaws	25
SM-2430kit+(1/2-1")pureflow jaws	25
SM-2430kit without jaws	16.3
SM-2430Kit with 1/2" - 1-1/4" ProPress Rings and C1 Actuator	22.88
SM-2430kit with1/2" - 1-1/4"ProPress Rings & Jaws and C1 Actuator	34.18
SM-2430kit with 1 1/2 2" - 1" MegaPress Jaws & Rings with C1 Actuator	24.98
SM-2430kit with1/2" - 1-1/4"ProPress Rings & Jaws and C1 Actuator	31.58

Accessory	WEIGHT LB.
SM-2430 Carrying Case Only	6.9
SM-2430 Carrying Case RLS	4.4
18V Advanced Lithium-ion Battery	0.76
18V Advanced Lithium-ion Battery Charger	1.1

COMPACT PRESS TOOL

CAPACITY: 1/2" TO 1 1/4" (COPPER AND STAINLESS STEEL); 1/2" TO 1 1/2" (PEX); 1/2" TO 1 3/8 8" (REFRIGERATION GRADE COPPER); 1/2" TO 1" (CARBON STEEL)

With the ability to press 75% of the fittings in the market, the Weisen SM Compact Press Tool delivers quicker payback and maximum value on the job. A lightweight profile and 180° swivelensures effortless operation and easy access in tight spots. With the SM-2430, introducing pressing to your business has never been more accessible.

SM-2430B
brushless motor



SM-2430
(brush motor)



Specifications

- ▶ **WEIGHT**
Tool Only-3.3 lbs.
Tool with Battery-3.7 lbs.
Tool with Battery and Jaw-5.9 lbs.
- ▶ **LENGTH**
Tool Only- 13"
Tool with Jaw - 14.6"
- ▶ **HEIGHT**
2.5"
- ▶ **HYDRAULIC RAM OUTPUT**
5380lbs.(24kN)
- ▶ **CYCLE TIME**
Standard ~3 seconds
- ▶ **SERVICE INTERVAL**
30,000 Cycles
- ▶ **POWER**
12V Advanced Lithium-ion 2.5 AhBattery
- ▶ **OPERATING TEMPERATURE**
RANGE 5° F to 104° F (-10° C to 40° C)
- ▶ **LIGHTING**
LED
- ▶ **180° HEAD SWIVEL**

COMPACT JAWS FOR PROPRESS® PUREFLOW. MEGAPRESS:ASTM F 1807.& RLS

DESCRIPTION	WEIGHT LB.
1/2" Jaw for ProPress	2.67
3/4" Jaw for ProPress	3.24
1" Jaw for ProPress	2.76
1 1/4" Jaw for ProPress	2.65



Copper and Stainless

DESCRIPTION	WEIGHT LB.
3/8" Jaw for PureFlow	2.67
1/2" Jaw for PureFlow	2.67
5/8" Jaw for PureFlow	2.67
3/4" Jaw for PureFlow	2.76
1" Jaw for PureFlow	2.85
1 1/4" Jaw for PureFlow	2.39
1 1/2" Jaw for PureFlow	2.93



PEX for Viega® PureFlow

DESCRIPTION	WEIGHT LB.
1/2" Jaw for MegaPress	2.67
3/4" Jaw for MegaPress	3.24
1" Jaw for MegaPress	2.76

MegaPress



DESCRIPTION	WEIGHT LB.
1/2" Jaw for ASTM F 1807	2.6
3/4" Jaw for ASTM F 1807	2.7
1" Jaw for ASTM F 1807	2.8
1 1/4" Jaw for ASTM F 1807	2.8

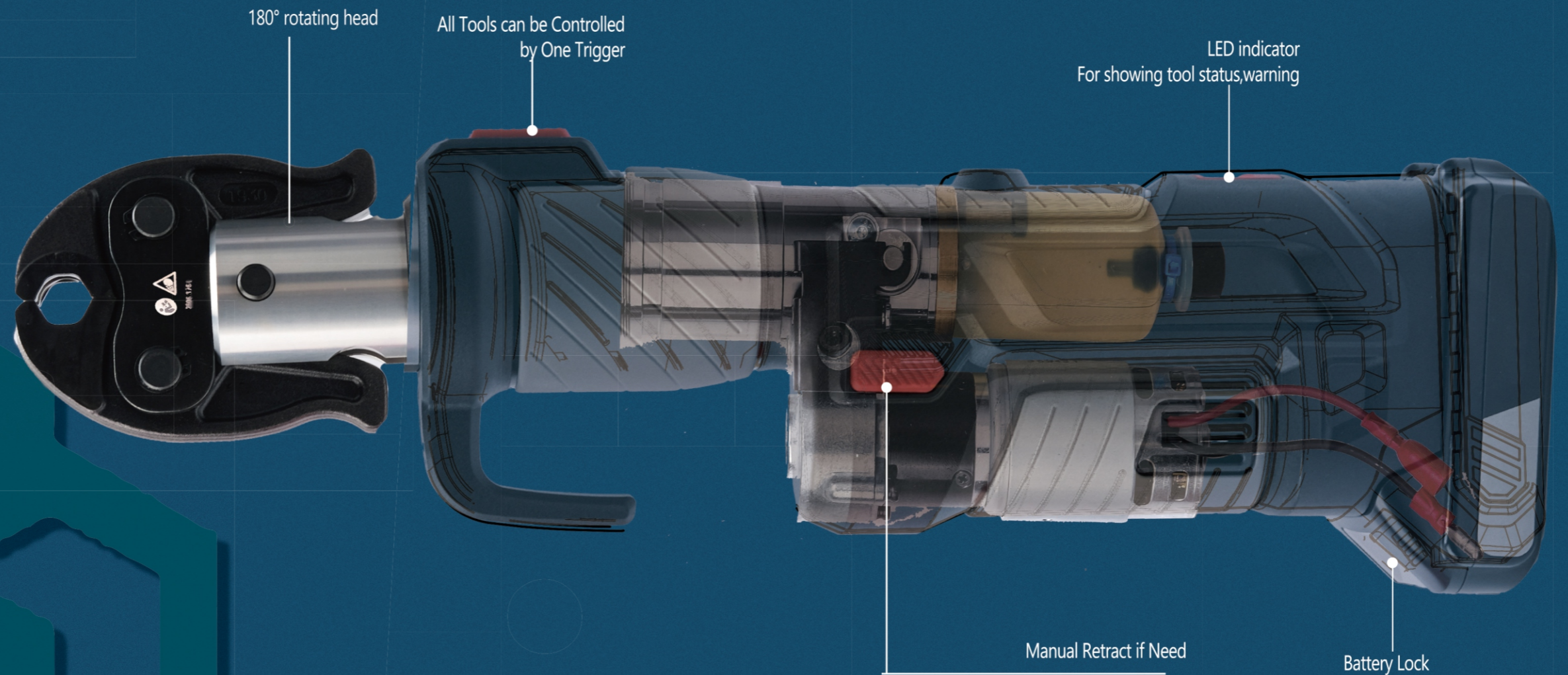
ASTM F 1807 (PEX)



DESCRIPTION	WEIGHT LB.
1/4" Compact Jaw for RLS	2.76
3/8" Compact Jaw for RLS	2.76
1/2" Compact Jaw for RLS	2.95
5/8" Compact Jaw for RLS	2.93
3/4" Compact Jaw for RLS	3.06
7/8" Compact Jaw for RLS	3.06
1 1/8" Compact Jaw for RLS	3.17

RLS (Copper Refrigeration)





THE RIGHT TOOL FOR YOUR NEEDS

● **CIRCUIT BOARD DIAGNOSTICS**

Alert you when the battery is low or the tool is too hot or cold

● **OLED DISPLAY**

- Easy reading on Battery Percentage
- Pressing Times
- Fault Code
- Maintenance Note



■ **180° SWIVELLING BARREL**

Easy access to connections

■ **TWO STAGE HYDRAULIC SYSTEM**

Hydraulic Ram Output provides more force for reliable connection

■ **ERGONOMIC DESIGN**

With light weight and inline grip, easily work overhead and in tight spaces.

■ **SERVICE INTERVAL: 10000 Cycles**

DESCRIPTION	WEIGHT KGS
ST-1930+m15 jaw	3.25
ST-1930kit+(m15-m28) jaws	11.97
ST-1930 kit without jaws	7
ST-1930 kit with m15-m35 Rings and C1 Acuator	10.46
ST-1930 kit with th16-th32 jaws	12.36

Accessory	WEIGHT KGS
ST-1930 Carring Case Only	3.08
18V Advanced Lithium-ion Battery	0.36
18V Advanced Lithium-ion Battery Charger	0.49

COMPACT PRESS TOOL

CAPACITY: 12MM TO 35MM COPPER PIPE
 12MM TO 28MM STAINLESS PIPE
 12MM TO 32MM MULTI-LAYER COMPOSITE PIPE
 12MM TO 32MM PEX PIPE

ST-1930B
brushless motor

ST-1930
(brush motor)



Specifications

- ▶ **WEIGHT**
 Tool Only-1.7kgs
 Tool with Battery-2.06kgs
 Tool with Battery and Jaw-3.3kgs
- ▶ **LENGTH**
 Tool Only- 37.5cm
 Tool with Jaw - 44cm
- ▶ **HEIGHT**
 9.5cm
- ▶ **HYDRAULIC RAM OUTPUT**
 19kN
- ▶ **CYCLE TIME**
 Standard ~3 seconds
- ▶ **SERVICE INTERVAL**
 30,000 Cycles
- ▶ **POWER**
 12V Advanced Lithium-ion 2.5 Ah Battery
- ▶ **OPERATING TEMPERATURE RANGE**
 5° F to 104° F (-10° C to 40° C)
- ▶ **LIGHTING**
 LED
- ▶ **350° HEAD SWIVEL**

Specifications

- ▶ **WEIGHT**
 Tool Only-2.2kgs
 Tool with Battery-2.56kgs
 Tool with Battery and Jaw-3.8kgs
- ▶ **LENGTH**
 Tool Only- 33cm
 Tool with Jaw - 42cm
- ▶ **HEIGHT**
 9 cm
- ▶ **HYDRAULIC RAM OUTPUT**
 19kN
- ▶ **CYCLE TIME**
 Standard ~3 seconds
- ▶ **SERVICE INTERVAL**
 30,000 Cycles
- ▶ **POWER**
 18V Advanced Lithium-ion 2.5 Ah Battery
- ▶ **OPERATING TEMPERATURE RANGE**
 5° F to 104° F (-10° C to 40° C)
- ▶ **LIGHTING**
 LED
- ▶ **180° HEAD SWIVEL**

Accessory	WEIGHT LB.
SM-1930 Carring Case Only	3.08
18V Advanced Lithium-ion Battery	0.36
18V Advanced Lithium-ion Battery Charger	0.49

SM-1930B
brushless motor

SM-1930
(brush motor)



COMPACT PRESS TOOL

CAPACITY: 12MM TO 35MM COPPER PIPE
 12MM TO 28MM STAINLESS PIPE
 12MM TO 32MM MULTI-LAYER COMPOSITE PIPE
 12MM TO 32MM PEX PIPE

DESCRIPTION	WEIGHT LB.
SM-1930+m15 jaw	3.75
SM-1930kit+(m15-m28) jaws	12.47
SM-1930 kit without jaws	7.5
SM-1930 kit with m15-m35 Ringsand C1 Acuator	10.06
SM-1930 kit with th16-th32 jaws	12.86

COMPACT JAWS FOR STAINLESS PIPE COPPER PIPE, PEX PIPE & MULTILAYER PIPE



DESCRIPTION	WEIGHT(KGS)
m15 Jaw	1.2
m18 Jaw	1.2
m22 Jaw	1.25
m28 Jaw	1.32
m35 Jaw	1.36

DESCRIPTION	WEIGHT(KGS)
Angle jaw m/v15	0.46
Angle jaw m/v18	0.46
Angle jaw m/v22	0.46
Angle jaw m/v28	0.45
Angle jaw m/v35	0.45
R8 Rotating Adaptor Jaw 1.18	1.18



DESCRIPTION	WEIGHT(KGS)
th16 Jaw	1.24
th20 Jaw	1.3
th26 Jaw	1.41
th32 Jaw	1.41

DESCRIPTION	WEIGHT(KGS)
v15 Jaw	1.2
v18 Jaw	1.2
v22 Jaw	1.25
v28 Jaw	1.32
v35 Jaw	1.36

DESCRIPTION	WEIGHT(KGS)
u16 Jaw	1.24
u20 Jaw	1.3
u26 Jaw	1.41
u32 Jaw	1.41

TWO-IN-ONE Battery Powered Crimping & Cutting tool

ST-2430C

Specifications

► **WEIGHT**

Tool Only-3.3 kgs
Tool with Battery-3.7 kgs
Tool with Battery and Jaw-5.9 kgs

► **LENGTH**

Tool Only- 13"
Tool with Jaw - 14.6"

► **HEIGHT**

2.5"

► **HYDRAULIC RAM OUTPUT**

24kN

► **CYCLE TIME**

Standard ~3 seconds

► **SERVICE INTERVAL**

30,000 Cycles

► **POWER**

12V Advanced Lithium-ion 2.5 Ah Battery

► **OPERATING TEMPERATURE RANGE**

5° F to 104° F (-10° C to 40° C)

► **LIGHTING**

LED

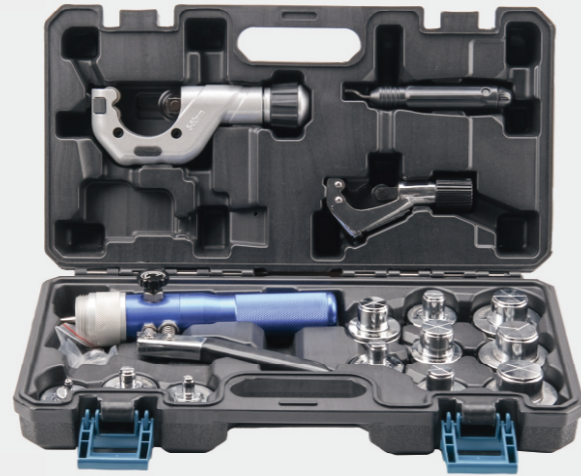
► **350° HEAD SWIVEL**

Max. crimping range: Cu 300mm²
Max. cutting range: Φ30mm Cu/Al cable
(It is not suitable for cutting fine strand and extra fine cables)





Model	CT-300A
Output force	40kN
Range	3/8"~1-5/8"
Net weight	1.8kgs
Gross weight	5.9kgs



Model	Manual Axial Press Tool
Range	Φ16-32mm
Net weight	3.0kgs
Gross weight	7.5kgs
Length	39mm



Model	Hand-operated Hydraulic Axial Press Tool
Expanding Rang	16-32mm
Gross weight	8.0kgs
Expanding mould	16*2.2, 20*2.8, 25*3.5, 32*4.4



Model	Manual Expand Tool
Expanding mould (Metric system)	Φ16、Φ20x1.9/2.0 Φ25x2.3、Φ32x2.9
Expanding mould (Imperial system)	3/8 "、1/2"、5/8"、3/4"、1"
Gross weight	2.8kgs

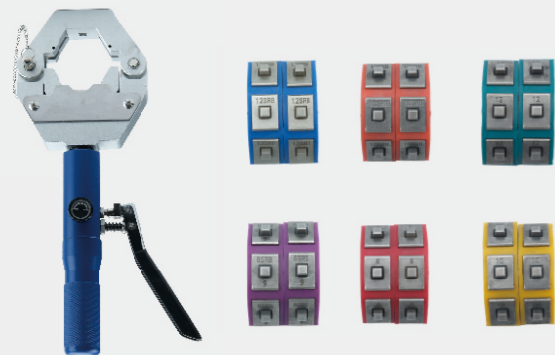




Model	APR-7842A
Output force	40kN
Range	Φ15-35mm
Net weight	2.0kgs
Gross weight	5.4kgs



Model	CW-1525
Output	100kN
Net weight:	3.5kgs
configuration	DN-15-DN-20-I DN-25-I



Model	APR-7842A
range	3/8"~7/8"
Output force	80kN
Gross weight	6.3kgs
Mold	8,10,12,6SRB,8SRB,10SRB,12SRB

